



PVC Conduit SCH.40 Special Radius Elbows

Plain & Bell End | 90° 45° 30° 22.5°

A PVC elbow is a type of curved electrical conduit made from polyvinyl chloride (PVC), compound according to the specifications of the UL 651 and ASTM D 1784 STANDARD.



Elbows are essential fittings that change the direction of electrical conduit runs and are designed to preserve wiring integrity for smooth wire pulling.

- Rated for use with 90-degree C wire.
- Sunlight resistant rated. Complies to ANSI/UL 651 file number E546229 and NEMA TC2.
- Constructed from SCH.40 PVC for added strength and durability.
- Designed for both outdoor and indoor applications.
- Ideal for aboveground and underground installations.
- NFPA 70 National Electrical Code.

Specifications & References

ANSI/UL 651 – file number E546229.
NFPA 70 National Electrical Code.
NEMA TC2.

Installation & Storage

PVC Conduit may be buried directly in the earth. It can be used in walls, floors, and ceilings, and may be encased in concrete. It can be installed in areas exposed to direct sunlight (NEC 352).

SCH 40.PVC Conduit can be acceptable where not subject to physical damage. SCH.40 PVC Conduit shall be listed to UL 651 for use outdoors and exposed to direct sunlight.

Please always check your local codes for any exceptions to the National Electric Code.

U.S. Headquarters

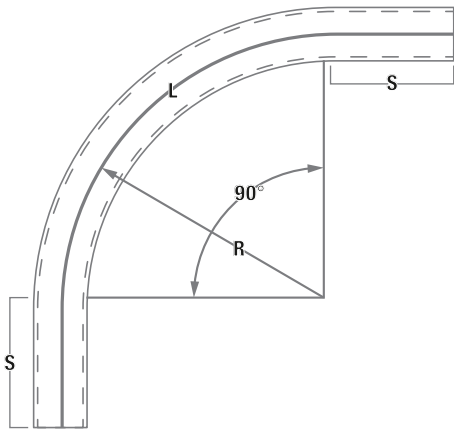
8750 NW 36th Street, Suite 450
Doral, Florida 33178

sales@alvapvc.com
+1-561-421-1868

www.alva-mfg.com
@alvapvc



PVC Conduit SCH.40 Special Radius Elbows plain end | 90° | special radius 18, 24, 36



- Rated for use with 90-degree C wire.
- Sunlight resistant rated. Complies to ANSI/UL 651 file number E546229 and NEMA TC2.
- Constructed from SCH.40 PVC for added strength and durability.
- Designed for both outdoor and indoor applications.
- Ideal for aboveground and underground installations.
- NFPA 70 National Electrical Code.

Plain End SCH.40 90° Elbows 18" Radius

Part No.	Size	R	S	L
PE10U90R18	1"	18	1.875	28.27
PE11U90R18	1-1/4"	18	2.000	28.27
PE12U90R18	1-1/2"	18	2.000	28.27
PE20U90R18	2"	18	2.000	28.27
PE21U90R18	2-1/2"	18	3.000	28.27
PE30U90R18	3"	18	3.125	28.27

Plain End SCH.40 90° Elbows 24" Radius

Part No.	Size	R	S	L
PE10U90R24	1"	24	1.875	37.7
PE11U90R24	1-1/4"	24	2.000	37.7
PE12U90R24	1-1/2"	24	2.000	37.7
PE20U90R24	2"	24	2.000	37.7
PE21U90R24	2-1/2"	24	3.000	37.7
PE30U90R24	3"	24	3.125	37.7
PE31U90R24	3-1/2"	24	3.250	37.7
PE40U90R24	4"	24	3.375	37.7
PE50U90R24	5"	24	3.625	37.7
PE60U90R24	6"	24	3.750	37.7

Plain End SCH.40 90° Elbows 36" Radius

Part No.	Size	R	S	L
PE10U90R36	1"	36	1.875	56.550
PE11U90R36	1-1/4"	36	2.000	56.550
PE12U90R36	1-1/2"	36	2.000	56.550
PE20U90R36	2"	36	2.000	56.550
PE21U90R36	2-1/2"	36	3.000	56.550
PE30U90R36	3"	36	3.125	56.550
PE31U90R36	3-1/2"	36	3.250	56.550
PE40U90R36	4"	36	3.375	56.550
PE50U90R36	5"	36	3.625	56.550
PE60U90R36	6"	36	3.750	56.550
PE80U90R36	8"	36	4.000	56.550

Additional sizes are available upon request. Please contact us for specifications and pricing.

U.S. Headquarters

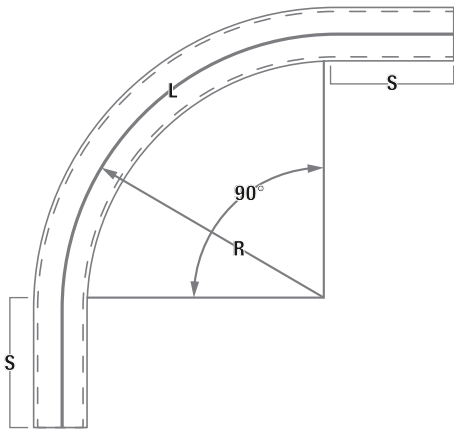
8750 NW 36th Street, Suite 450
Doral, Florida 33178

sales@alvapvc.com
+1-561-421-1868

www.alva-mfg.com
@alvapvc



PVC Conduit SCH.40 Special Radius Elbows plain end | 90° | special radius 48, 60



- Rated for use with 90-degree C wire.
- Sunlight resistant rated. Complies to ANSI/UL 651 file number E546229 and NEMA TC2.
- Constructed from SCH.40 PVC for added strength and durability.
- Designed for both outdoor and indoor applications.
- Ideal for aboveground and underground installations.
- NFPA 70 National Electrical Code.

Plain End SCH.40 90° Elbows 48" Radius

Part No.	Size	R	S	L
PE10U90R48	1"	48	1.875	75.375
PE11U90R48	1-1/4"	48	2.000	75.375
PE12U90R48	1-1/2"	48	2.000	75.375
PE20U90R48	2"	48	2.000	75.375
PE21U90R48	2-1/2"	48	3.000	75.375
PE30U90R48	3"	48	3.125	75.375
PE31U90R48	3-1/2"	48	3.250	75.375
PE40U90R48	4"	48	3.375	75.375
PE50U90R48	5"	48	3.625	75.375
PE60U90R48	6"	48	3.750	75.375
PE80U90R48	8"	48	4.000	75.375

Plain End SCH.40 90° Elbows 60" Radius

Part No.	Size	R	S	L
PE20U90R60	2"	60	2.000	94.250
PE21U90R60	2-1/2"	60	3.000	94.250
PE30U90R60	3"	60	3.125	94.250
PE31U90R60	3-1/2"	60	3.250	94.250
PE40U90R60	4"	60	3.375	94.250
PE50U90R60	5"	60	3.625	94.250
PE60U90R60	6"	60	3.750	94.250
PE80U90R60	8"	60	4.000	94.250

Additional sizes are available upon request. Please contact us for specifications and pricing.



U.S. Headquarters

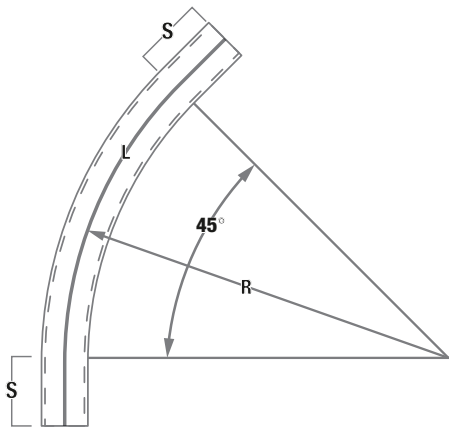
8750 NW 36th Street, Suite 450
Doral, Florida 33178

sales@alvapvc.com
+1-561-421-1868

www.alva-mfg.com
@alvapvc



PVC Conduit SCH.40 Special Radius Elbows plain end | 45° | special radius 18, 24, 36



- Rated for use with 90-degree C wire.
- Sunlight resistant rated. Complies to ANSI/UL 651 file number E546229 and NEMA TC2.
- Constructed from SCH.40 PVC for added strength and durability.
- Designed for both outdoor and indoor applications.
- Ideal for aboveground and underground installations.
- NFPA 70 National Electrical Code.

Plain End SCH.40 45° Elbows 18" Radius

Part No.	Size	R	S	L
PE10U45R18	1"	18	1.875	14.1372
PE11U45R18	1-1/4"	18	2.000	14.1372
PE12U45R18	1-1/2"	18	2.000	14.1372
PE20U45R18	2"	18	2.000	14.1372
PE21U45R18	2-1/2"	18	3.000	14.1372
PE30U45R18	3"	18	3.125	14.1372

Plain End SCH.40 45° Elbows 24" Radius

Part No.	Size	R	S	L
PE10U45R24	1"	24	1.875	18.875
PE11U45R24	1-1/4"	24	2.000	18.875
PE12U45R24	1-1/2"	24	2.000	18.875
PE20U45R24	2"	24	2.000	18.875
PE21U45R24	2-1/2"	24	3.000	18.875
PE30U45R24	3"	24	3.125	18.875
PE31U45R24	3-1/2"	24	3.250	18.875
PE40U45R24	4"	24	3.375	18.875
PE50U45R24	5"	24	3.625	18.875
PE60U45R24	6"	24	3.750	18.875

Plain End SCH.40 45° Elbows 36" Radius

Part No.	Size	R	S	L
PE10U45R36	1"	36	1.875	28.274
PE11U45R36	1-1/4"	36	2.000	28.274
PE12U45R36	1-1/2"	36	2.000	28.274
PE20U45R36	2"	36	2.000	28.274
PE21U45R36	2-1/2"	36	3.000	28.274
PE30U45R36	3"	36	3.125	28.274
PE31U45R36	3-1/2"	36	3.250	28.274
PE40U45R36	4"	36	3.375	28.274
PE50U45R36	5"	36	3.625	28.274
PE60U45R36	6"	36	3.750	28.274
PE80U45R36	8"	36	4.000	28.274

Additional sizes are available upon request. Please contact us for specifications and pricing.

U.S. Headquarters

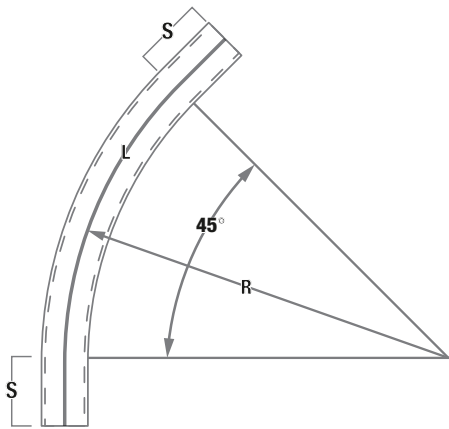
8750 NW 36th Street, Suite 450
Doral, Florida 33178

sales@alvapvc.com
+1-561-421-1868

www.alva-mfg.com
@alvapvc



PVC Conduit SCH.40 Special Radius Elbows plain end | 45° | special radius 48, 60



- Rated for use with 90-degree C wire.
- Sunlight resistant rated. Complies to ANSI/UL 651 file number E546229 and NEMA TC2.
- Constructed from SCH.40 PVC for added strength and durability.
- Designed for both outdoor and indoor applications.
- Ideal for aboveground and underground installations.
- NFPA 70 National Electrical Code.

Plain End SCH.40 45° Elbows 48" Radius

Part No.	Size	R	S	L
PE10U45R48	1"	48	1.875	37.700
PE11U45R48	1-1/4"	48	2.000	37.700
PE12U45R48	1-1/2"	48	2.000	37.700
PE20U45R48	2"	48	2.000	37.700
PE21U45R48	2-1/2"	48	3.000	37.700
PE30U45R48	3"	48	3.125	37.700
PE31U45R48	3-1/2"	48	3.250	37.700
PE40U45R48	4"	48	3.375	37.700
PE50U45R48	5"	48	3.625	37.700
PE60U45R48	6"	48	3.750	37.700
PE80U45R48	8"	48	4.000	37.700

Plain End SCH.40 45° Elbows 60" Radius

Part No.	Size	R	S	L
PE20U45R60	2"	60	2.000	47.125
PE21U45R60	2-1/2"	60	3.000	47.125
PE30U45R60	3"	60	3.125	47.125
PE31U45R60	3-1/2"	60	3.250	47.125
PE40U45R60	4"	60	3.375	47.125
PE50U45R60	5"	60	3.625	47.125
PE60U45R60	6"	60	3.750	47.125
PE80U45R60	8"	60	4.000	47.125

Additional sizes are available upon request. Please contact us for specifications and pricing.



U.S. Headquarters

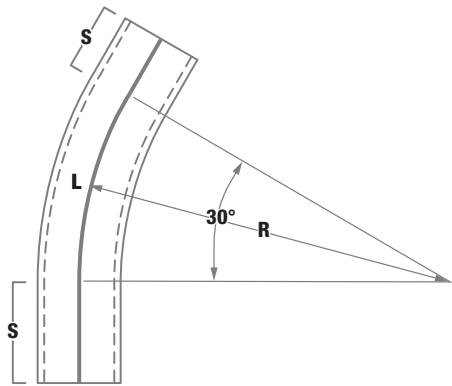
8750 NW 36th Street, Suite 450
Doral, Florida 33178

sales@alvapvc.com
+1-561-421-1868

www.alva-mfg.com
@alvapvc



PVC Conduit SCH.40 Special Radius Elbows plain end | 30° | special radius 18, 24, 36



- Rated for use with 90-degree C wire.
- Sunlight resistant rated. Complies to ANSI/UL 651 file number E546229 and NEMA TC2.
- Constructed from SCH.40 PVC for added strength and durability.
- Designed for both outdoor and indoor applications.
- Ideal for aboveground and underground installations.
- NFPA 70 National Electrical Code.

Plain End SCH.40 30° Elbows 18" Radius

Part No.	Size	R	S	L
PE10U30R18	1"	18	1.875	9.4248
PE11U30R18	1-1/4"	18	2.000	9.4248
PE12U30R18	1-1/2"	18	2.000	9.4248
PE20U30R18	2"	18	2.000	9.4248
PE21U30R18	2-1/2"	18	3.000	9.4248
PE30U30R18	3"	18	3.125	9.4248

Plain End - SCH.40 30° Elbows 24" Radius

Part No.	Size	R	S	L
PE10U30R24	1"	24	1.875	12.566
PE11U30R24	1-1/4"	24	2.000	12.566
PE12U30R24	1-1/2"	24	2.000	12.566
PE20U30R24	2"	24	2.000	12.566
PE21U30R24	2-1/2"	24	3.000	12.566
PE30U30R24	3"	24	3.125	12.566
PE31U30R24	3-1/2"	24	3.250	12.566
PE40U30R24	4"	24	3.375	12.566

Plain End - SCH.40 30° Elbows 36" Radius

Part No.	Size	R	S	L
PE10U30R36	1"	36	1.875	18.8496
PE11U30R36	1-1/4"	36	2.000	18.8496
PE12U30R36	1-1/2"	36	2.000	18.8496
PE20U30R36	2"	36	2.000	18.8496
PE21U30R36	2-1/2"	36	3.000	18.8496
PE30U30R36	3"	36	3.125	18.8496
PE31U30R36	3-1/2"	36	3.250	18.8496
PE40U30R36	4"	36	3.375	18.8496
PE50U30R36	5"	36	3.625	18.8496
PE60U30R36	6"	36	3.750	18.8496
PE80U30R36	8"	36	4.000	18.8496

Additional sizes are available upon request. Please contact us for specifications and pricing.

U.S. Headquarters

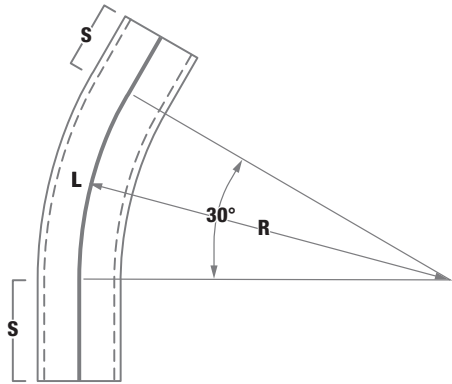
8750 NW 36th Street, Suite 450
Doral, Florida 33178

sales@alvapvc.com
+1-561-421-1868

www.alva-mfg.com
@alvapvc



PVC Conduit SCH.40 Special Radius Elbows plain end | 30° | special radius 48, 60



- Rated for use with 90-degree C wire.
- Sunlight resistant rated. Complies to ANSI/UL 651 file number E546229 and NEMA TC2.
- Constructed from SCH.40 PVC for added strength and durability.
- Designed for both outdoor and indoor applications.
- Ideal for aboveground and underground installations.
- NFPA 70 National Electrical Code.

Plain End - SCH.40 30° Elbows 48" Radius

Part No.	Size	R	S	L
PE10U30R48	1"	48	1.875	25.1327
PE11U30R48	1-1/4"	48	2.000	25.1327
PE12U30R48	1-1/2"	48	2.000	25.1327
PE20U30R48	2"	48	2.000	25.1327
PE21U30R48	2-1/2"	48	3.000	25.1327
PE30U30R48	3"	48	3.125	25.1327
PE31U30R48	3-1/2"	48	3.250	25.1327
PE40U30R48	4"	48	3.375	25.1327
PE50U30R48	5"	48	3.625	25.1327
PE60U30R48	6"	48	3.750	25.1327
PE80U30R48	8"	48	4.000	25.1327

Plain End - SCH.40 30° Elbows 60" Radius

Part No.	Size	R	S	L
PE20U30R60	2"	60	2.000	31.416
PE21U30R60	2-1/2"	60	3.000	31.416
PE30U30R60	3"	60	3.125	31.416
PE31U30R60	3-1/2"	60	3.250	31.416
PE40U30R60	4"	60	3.375	31.416
PE50U30R60	5"	60	3.625	31.416
PE60U30R60	6"	60	3.750	31.416
PE80U30R60	8"	60	4.000	31.416

Additional sizes are available upon request. Please contact us for specifications and pricing.

U.S. Headquarters

8750 NW 36th Street, Suite 450
Doral, Florida 33178

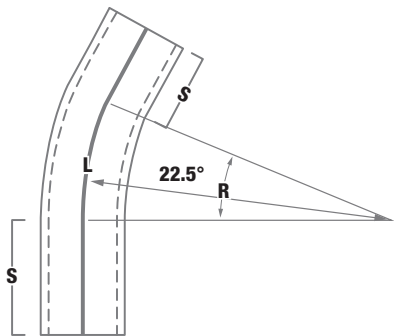
sales@alvapvc.com
+1-561-421-1868

www.alva-mfg.com
@alvapvc





PVC Conduit SCH.40 Special Radius Elbows plain end | 22.5° | special radius 18, 24, 36



- Rated for use with 90-degree C wire.
- Sunlight resistant rated. Complies to ANSI/UL 651 file number E546229 and NEMA TC2.
- Constructed from SCH.40 PVC for added strength and durability.
- Designed for both outdoor and indoor applications.
- Ideal for aboveground and underground installations.
- NFPA 70 National Electrical Code.

Plain End SCH.40 22.5° Elbows 18" Radius

Part No.	Size	R	S	L
PE10U22R18	1"	18	1.875	7.07
PE11U22R18	1-1/4"	18	2.000	7.07
PE12U22R18	1-1/2"	18	2.000	7.07
PE20U22R18	2"	18	2.000	7.07
PE21U22R18	2-1/2"	18	3.000	7.07
PE30U22R18	3"	18	3.125	7.07

Plain End SCH.40 22.5° Elbows 24" Radius

Part No.	Size	R	S	L
PE10U22R24	1"	24	1.875	9.4248
PE11U22R24	1-1/4"	24	2.000	9.4248
PE12U22R24	1-1/2"	24	2.000	9.4248
PE20U22R24	2"	24	2.000	9.4248
PE21U22R24	2-1/2"	24	3.000	9.4248
PE30U22R24	3"	24	3.125	9.4248
PE31U22R24	3-1/2"	24	3.250	9.4248
PE40U22R24	4"	24	3.375	9.4248

Plain End SCH.40 22.5° Elbows 36" Radius

Part No.	Size	R	S	L
PE10U22R36	1"	36	1.875	11.7809
PE11U22R36	1-1/4"	36	2.000	11.7809
PE12U22R36	1-1/2"	36	2.000	11.7809
PE20U22R36	2"	36	2.000	11.7809
PE21U22R36	2-1/2"	36	3.000	11.7809
PE30U22R36	3"	36	3.125	11.7809
PE31U22R36	3-1/2"	36	3.250	11.7809
PE40U22R36	4"	36	3.375	11.7809
PE50U22R36	5"	36	3.625	11.7809
PE60U22R36	6"	36	3.750	11.7809
PE80U22R36	8"	36	4.000	11.7809

Additional sizes are available upon request. Please contact us for specifications and pricing.

U.S. Headquarters

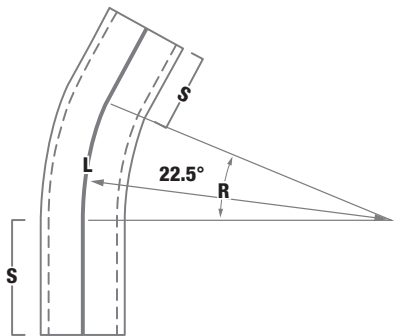
8750 NW 36th Street, Suite 450
Doral, Florida 33178

sales@alvapvc.com
+1-561-421-1868

www.alva-mfg.com
@alvapvc



PVC Conduit SCH.40 Special Radius Elbows plain end | 22.5° | special radius 48, 60



Plain End SCH.40 22.5° Elbows 48" Radius

Part No.	Size	R	S	L
PE10U22R48	1"	48	1.875	18.849
PE11U22R48	1-1/4"	48	2.000	18.849
PE12U22R48	1-1/2"	48	2.000	18.849
PE20U22R48	2"	48	2.000	18.849
PE21U22R48	2-1/2"	48	3.000	18.849
PE30U22R48	3"	48	3.125	18.849
PE31U22R48	3-1/2"	48	3.250	18.849
PE40U22R48	4"	48	3.375	18.849
PE50U22R48	5"	48	3.625	18.849
PE60U22R48	6"	48	3.750	18.849
PE80U22R48	8"	48	4.000	18.849

Plain End SCH.40 22.5° Elbows 60" Radius

Part No.	Size	R	S	L
PE20U22R60	2"	60	2.000	26.5619
PE21U22R60	2-1/2"	60	3.000	26.5619
PE30U22R60	3"	60	3.125	26.5619
PE31U22R60	3-1/2"	60	3.250	26.5619
PE40U22R60	4"	60	3.375	26.5619
PE50U22R60	5"	60	3.625	26.5619
PE60U22R60	6"	60	3.750	26.5619
PE80U22R60	8"	60	4.000	26.5619

- Rated for use with 90-degree C wire.
- Sunlight resistant rated. Complies to ANSI/UL 651 file number E546229 and NEMA TC2.
- Constructed from SCH.40 PVC for added strength and durability.
- Designed for both outdoor and indoor applications.
- Ideal for aboveground and underground installations.
- NFPA 70 National Electrical Code.

Additional sizes are available upon request. Please contact us for specifications and pricing.

U.S. Headquarters

8750 NW 36th Street, Suite 450
Doral, Florida 33178

sales@alvapvc.com
+1-561-421-1868

www.alva-mfg.com
@alvapvc

